



Woodruff Scientific Inc

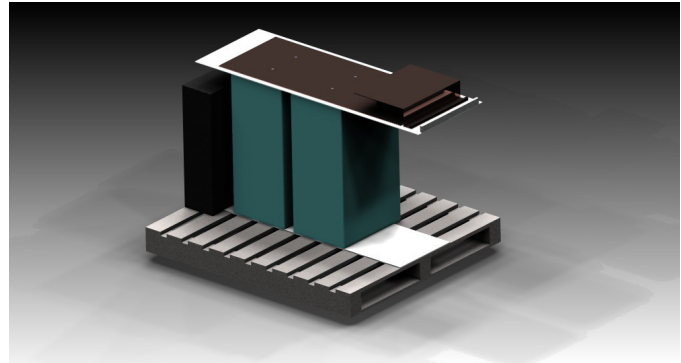
4000 Aurora Ave N,
 Suites 5 & 6, Seattle, WA 98103
 (206) 905 9477 8am to 5pm Pacific
sales@woodruffscientific.com
<http://www.woodruffscientific.com>

Model number(s): CL-[9.4,23.5,37.6]

Descriptive name: Bank with IGBT switch, 8kV, 4700uF caps, linear arrangement

Features:

- Aluminum buswork
- 30kV insulation rating
- Built for stand-alone applications
- Fully enclosed
- Standard mounting brackets
- Charge input and controls



Operational ratings:

Parameter \ mF	9.4	23.5	37.6
Max Current	100kA	100kA	100kA
Max Voltage	8kV	8kV	8kV

Operational characteristics:

Parameter \ mF	9.4	23.5	37.6
Inductance	<1uF	<1uF	<1uF
V_switch	130-370V	130-370V	130-370V

Options:

- Enclosures (Pallet / Rack / Partial / Full enclosure standard)
- Harnessing (RG8 cabling standard / Busbars / Other)
- Switching (SGs / Ignitrons / Solid state standard)
- Charging supplies (400V +-e standard)
- Controls (Labview control system)
- Sensors (Voltage dividers standard / Rogowskis / Thermal / Mechanical / Optical)



Woodruff Scientific Inc

4000 Aurora Ave N,
 Suites 5 & 6, Seattle, WA 98103
 (206) 905 9477 8am to 5pm Pacific
sales@woodruffscientific.com
<http://www.woodruffscientific.com>

Model number(s): CL-[9.4,23.5,37.6]

Descriptive name: Bank with IGBT switch, 8kV, 4700uF caps, linear arrangement

		Revisions			
Zone	Rev	Description	Date	Approved	

Unless Otherwise Specified: Dimensions in Inches Tolerances: Fractional ± Angular: Mach ± Bend ± Two Place Decimal ± Three Place Decimal ±	Drawn	Name	Date	Woodruff Scientific, Inc CL-10000		
	Checked					
	ENG Appr.					
	MFR Appr.					
	QA					
	Comments CAD Generated Drawing Do Not Manually Update			Size	Drawing No.	Rev
Material -				A	0001	A
Finish -				Scale	1:1	CAD File
Do Not Scale Drawing						Sheet 1 of 1

Engineering Drawing

Notes:

1. Mounting holes are sized as a clearance fit for a 1/4-20 screw
2. For higher power operation in steady state, attach coils to suitable heat sink
3. Electrical connections to the coil are made with 1/4" lugs, soldered to coil winding

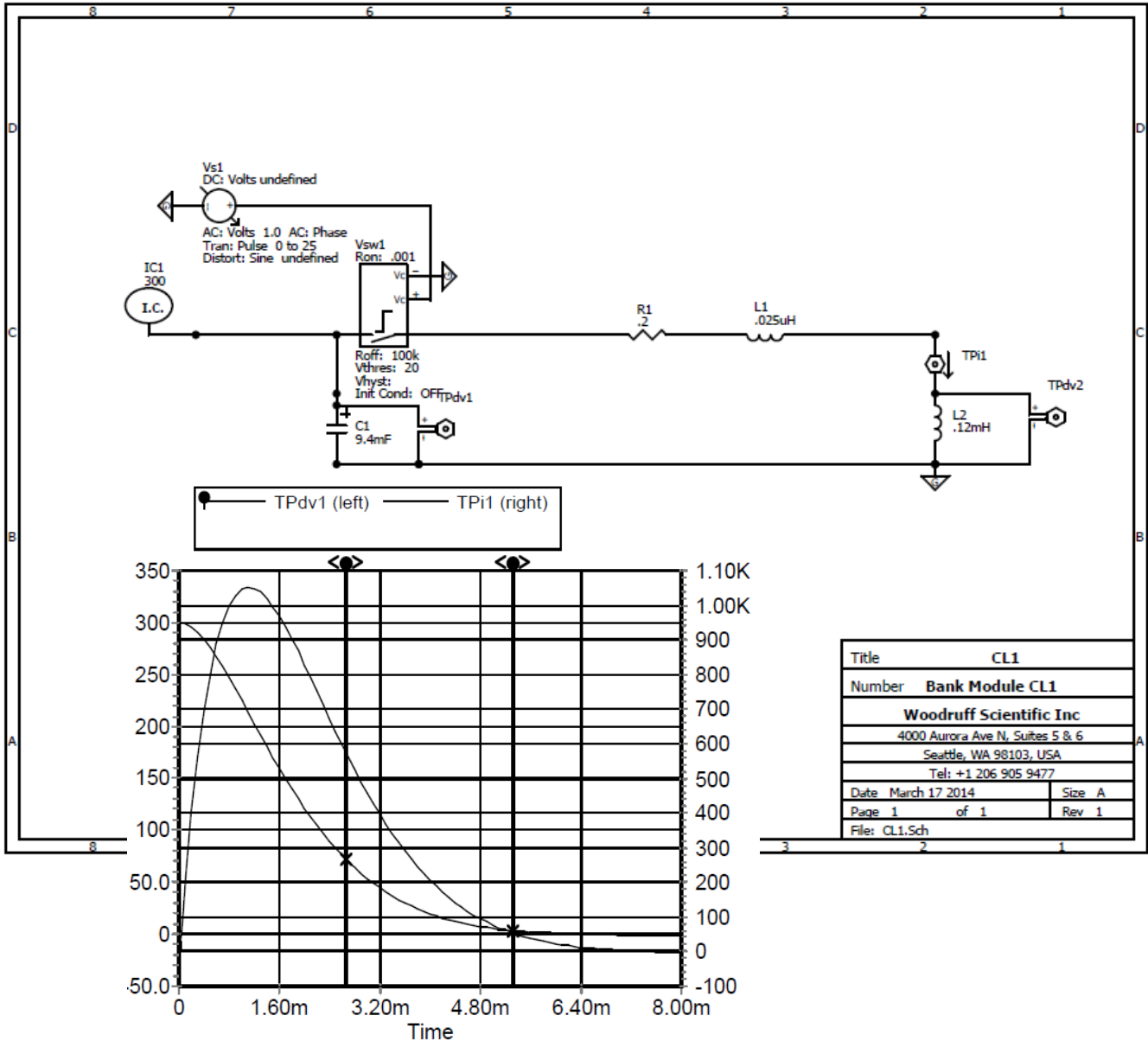


Woodruff Scientific Inc

4000 Aurora Ave N,
 Suites 5 & 6, Seattle, WA 98103
 (206) 905 9477 8am to 5pm Pacific
sales@woodruffscientific.com
<http://www.woodruffscientific.com>

Model number(s): CL-[9.4,23.5,37.6]

Descriptive name: Bank with IGBT switch, 8kV, 4700uF caps, linear arrangement



Title	CL1	
Number	Bank Module CL1	
Woodruff Scientific Inc		
4000 Aurora Ave N, Suites 5 & 6		
Seattle, WA 98103, USA		
Tel: +1 206 905 9477		
Date	March 17 2014	Size A
Page	1 of 1	Rev 1
File:	CL1.Sch	





Woodruff Scientific Inc

4000 Aurora Ave N,
 Suites 5 & 6, Seattle, WA 98103
 (206) 905 9477 8am to 5pm Pacific
sales@woodruffscientific.com
<http://www.woodruffscientific.com>

Model number(s): CL-[9.4,23.5,37.6]

Descriptive name: Bank with IGBT switch, 8kV, 4700uF caps, linear arrangement

<p>Single 23.5mF bank module in aluminum frame</p>	<p>23.5mF, 8kV</p>	
<p>Multiple 23.5mF bank modules in aluminum frame organized as vertical array</p>	<p>70.5mFF, 8kV</p>	
<p>Multiple 23.5mF bank modules arranged in shelf mounts</p>	<p>70.5mF, 8kV</p>	